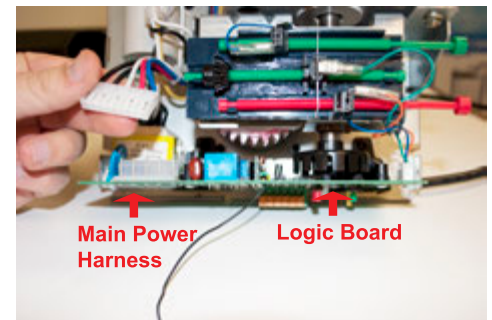
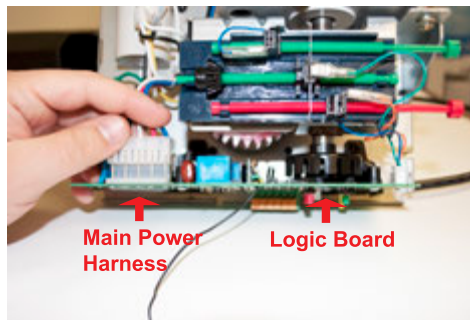
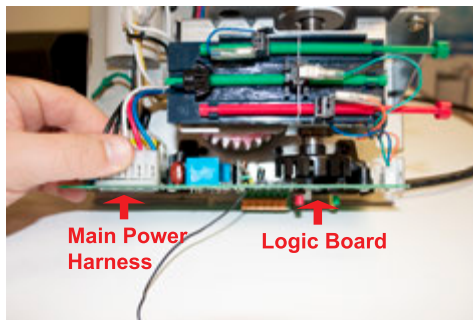
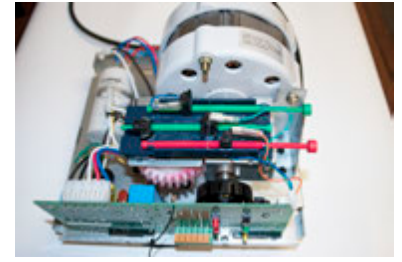
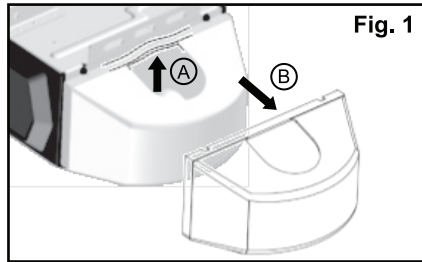


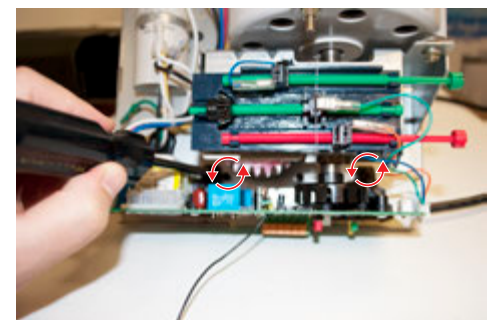
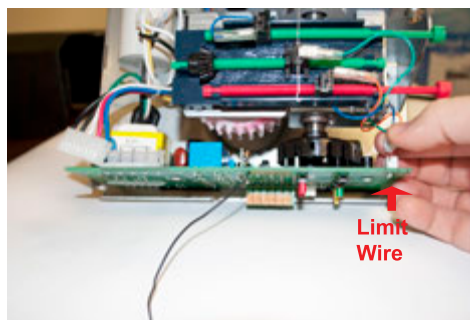
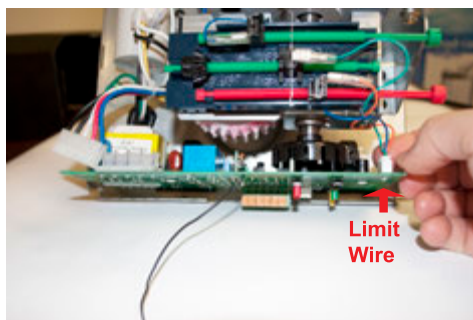
425-1669 Remove Logic Board

FOR BEST RESULTS IT IS RECOMMENDED TO REMOVE THE GARAGE DOOR OPENER HEAD UNIT FROM THE RAIL SYSTEM, REMOVE LIGHT DOMES & PLACE AS SHOWN ON A FLAT SURFACE.

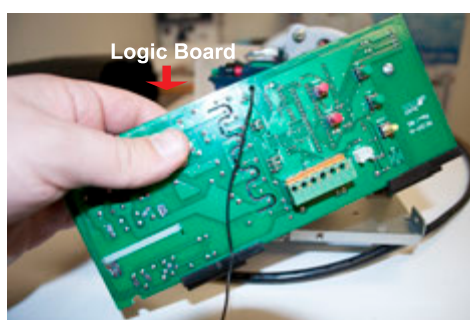
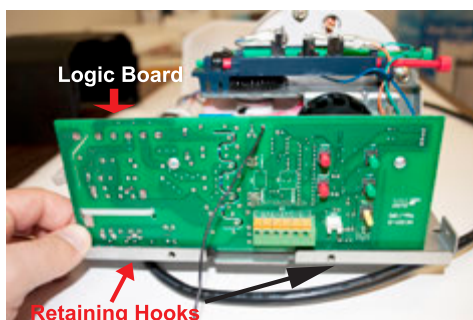
1. Remove the light lens cover.
(A) Lift up the edge of the light cover
(B) Pull slightly outward as shown in fig 1.
2. Using a Phillips screwdriver remove the eight screws securing the two metal side plates and plastic motor cover. Remove the metal side plates and plastic motor cover.



3. Remove the main power harness from the logic board. Gasp the main power harness between your fingers and pull up lightly until it disengages from the logic board.



4. Remove the limit system wire assembly from the logic board. Gasp the limit system wire connection between your fingers and pull lightly until it disengages from the logic board. Remove the two retainings screw on the logic board using a Phillips screw driver.



5. Pull the logic board towards the side of the opener to disengage the black retaining hooks. Finish by removing the logic board. To install the logic board repeat all steps in reverse.